

## Identification

|                  |                   |                 |                        |
|------------------|-------------------|-----------------|------------------------|
| Type Designation | <b>LR3 48-3/6</b> | Type of reactor | <b>3~ Line Reactor</b> |
| Series           | <b>LR3</b>        | Core Rating     | <b>150.65 var</b>      |
| Core type        | <b>3UI 48/17</b>  | Drive HP        | <b>3</b>               |

## Technical Data

|                        |        |                  |
|------------------------|--------|------------------|
| No. of phase           |        | <b>3</b>         |
| Circuit type           |        | <b>III0</b>      |
| Rated Voltage          | [ V ]  | <b>480</b>       |
| Rated current          | [ A ]  | <b>6.0</b>       |
| Rated Frequency        | [ Hz ] | <b>50 - 60</b>   |
| Impedance              | [ % ]  | <b>3.0</b>       |
| Inductance L           | [ mH ] | <b>3.700</b>     |
| L tolerance            | [ % ]  | <b>±10%</b>      |
| Linearity              |        | <b>133% In</b>   |
| Losses (typical)       | [ W ]  | <b>19.43</b>     |
| Test voltage           | [ kV ] | <b>4.0</b>       |
| Isolation System Class |        | <b>class 130</b> |

## Operating conditions

|                      |        |                      |
|----------------------|--------|----------------------|
| Ambient temperature  | [ °C ] | <b>-10 ... +40°C</b> |
| Ambient temperature  | [ F ]  | <b>14 ... 104°F</b>  |
| Type of cooling      |        | <b>AN</b>            |
| Operating conditions |        | <b>24/7</b>          |

## Standards

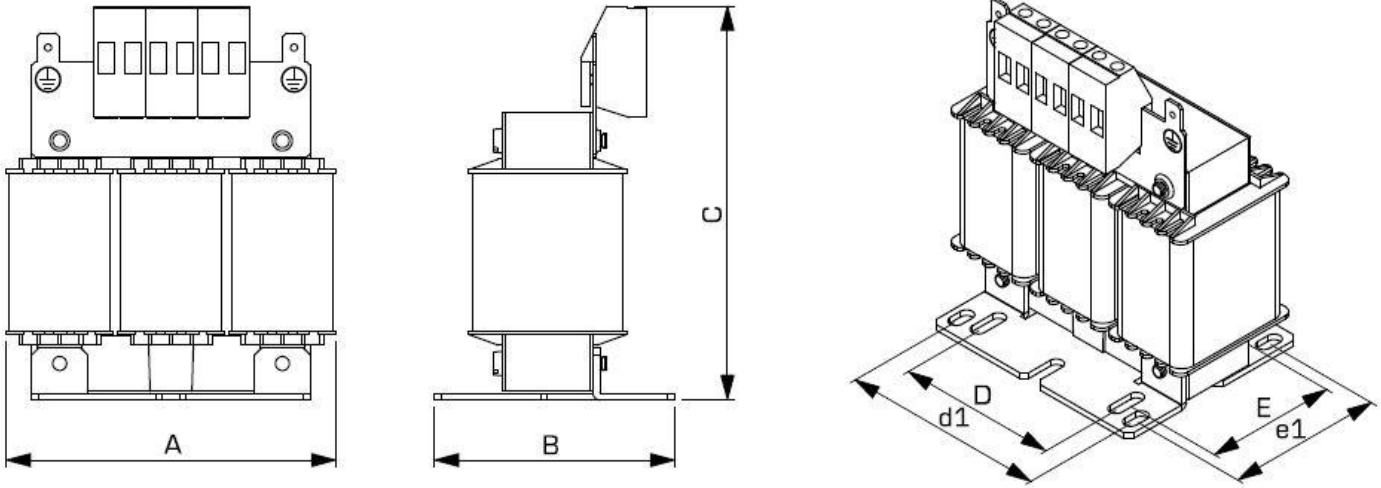
|   |       |
|---|-------|
| Type:   | Signs |
| VDE 0570 / EN 61 558 Part 1<br>VDE 0570 / EN 61 558 Part 20 |       |

## Approvals

|           |  |         |      |
|-----------|--|---------|------|
| UL 508    |  | E219022 | NMTR |
| UL 5085-1 |  | E103521 | XPTQ |

Variations may apply due to material's and production's tolerances. Objected to modifications without notice.

**Dimensions / Mounting in Inches**



| A    | B    | C*   | F | D    | d1   | d2 | E    | e1   | e2 | Drill |
|------|------|------|---|------|------|----|------|------|----|-------|
| 3.74 | 2.36 | 4.57 | - | 2.20 | 2.80 | -  | 1.50 | 1.77 | -  | 0.19  |
|      |      |      |   |      |      |    |      |      |    | 0.19  |
|      |      |      |   |      |      |    |      |      |    | -     |

\* = Typical variable air gab

**Weight**

|        |         |             |
|--------|---------|-------------|
| Weight | [ kg ]  | <b>0.73</b> |
|        | [ lbs ] | <b>1.60</b> |

**Notes**

Technical specifications in the drawing are not binding. General tolerance to DIN 7168-m. Subject to change.  
Mounting plates also available in stainless steel as OEM application. Ask for details.

|                |          |  |           |        |
|----------------|----------|--|-----------|--------|
| Original Date: | 15/04/20 | Observe protection clause to ISO 16016 | Index     | 0      |
| Name:          | Lüning   |  | Doc. type |        |
| Date:          | 15/05/06 |  |           |        |
| Checked:       | Wesner   |  | Pages     | 2 of 2 |